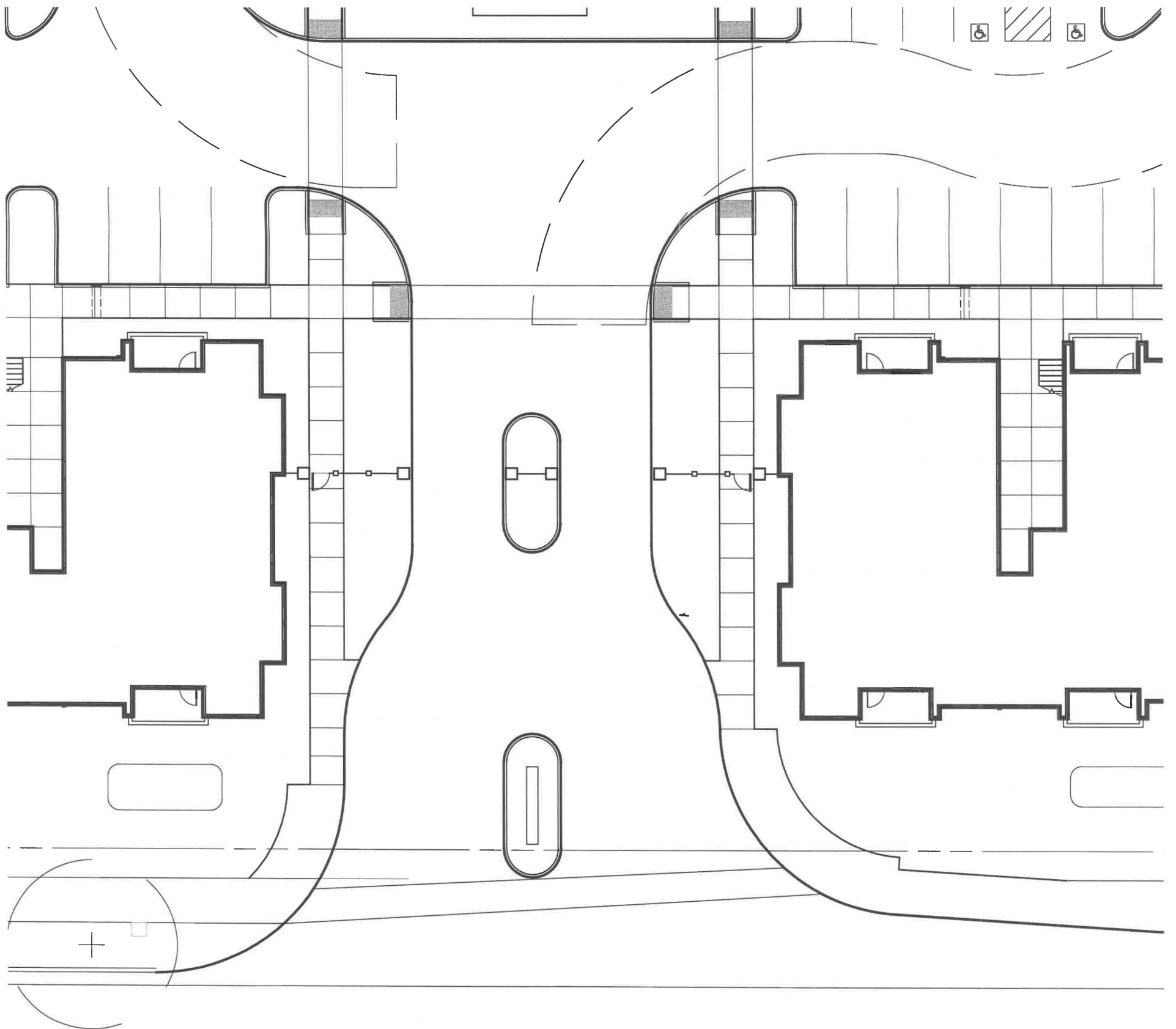
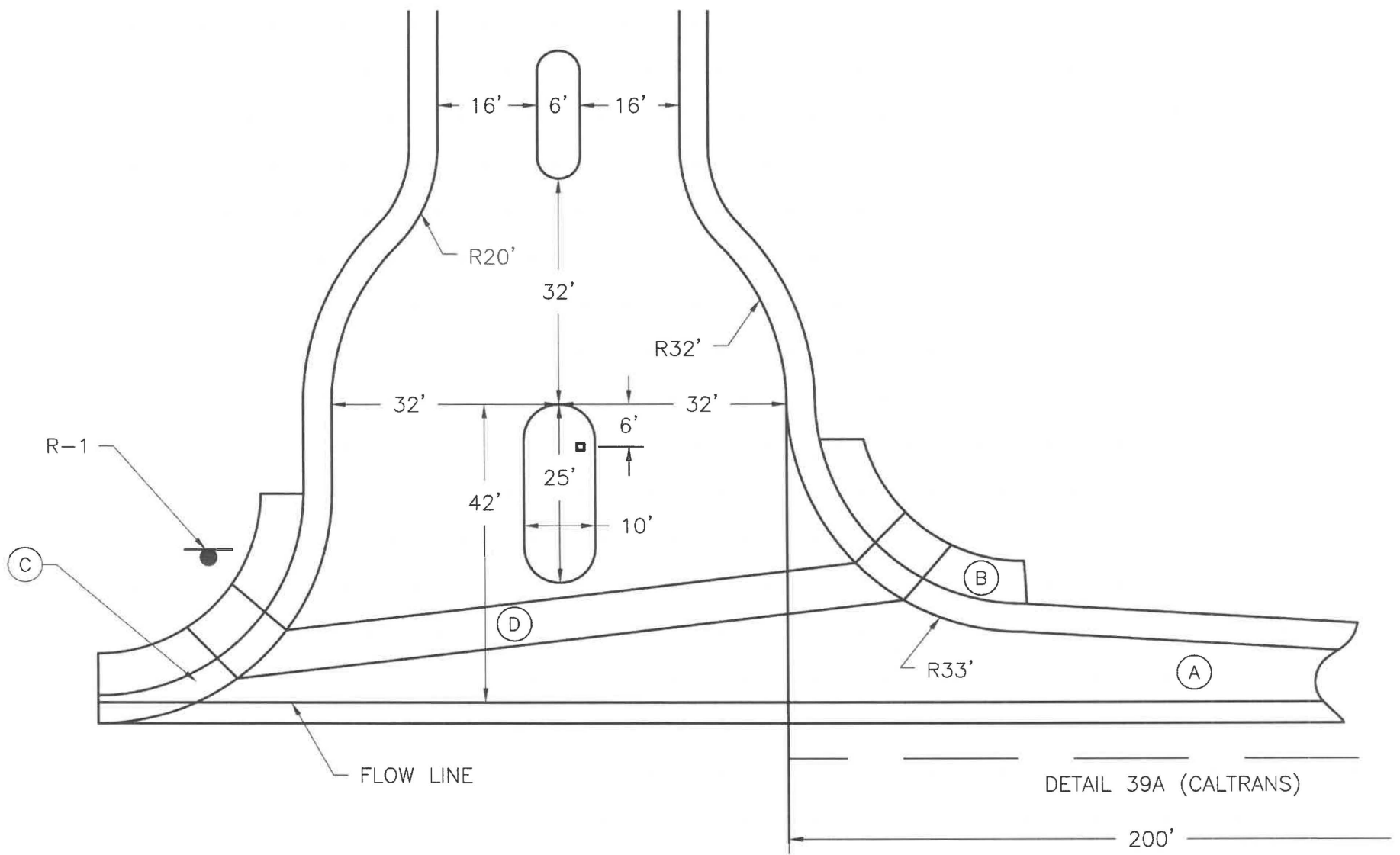


PLACER CREEK APARTMENTS

ENTRY STUDY - CITY STANDARD
DATE: 08.24.2022

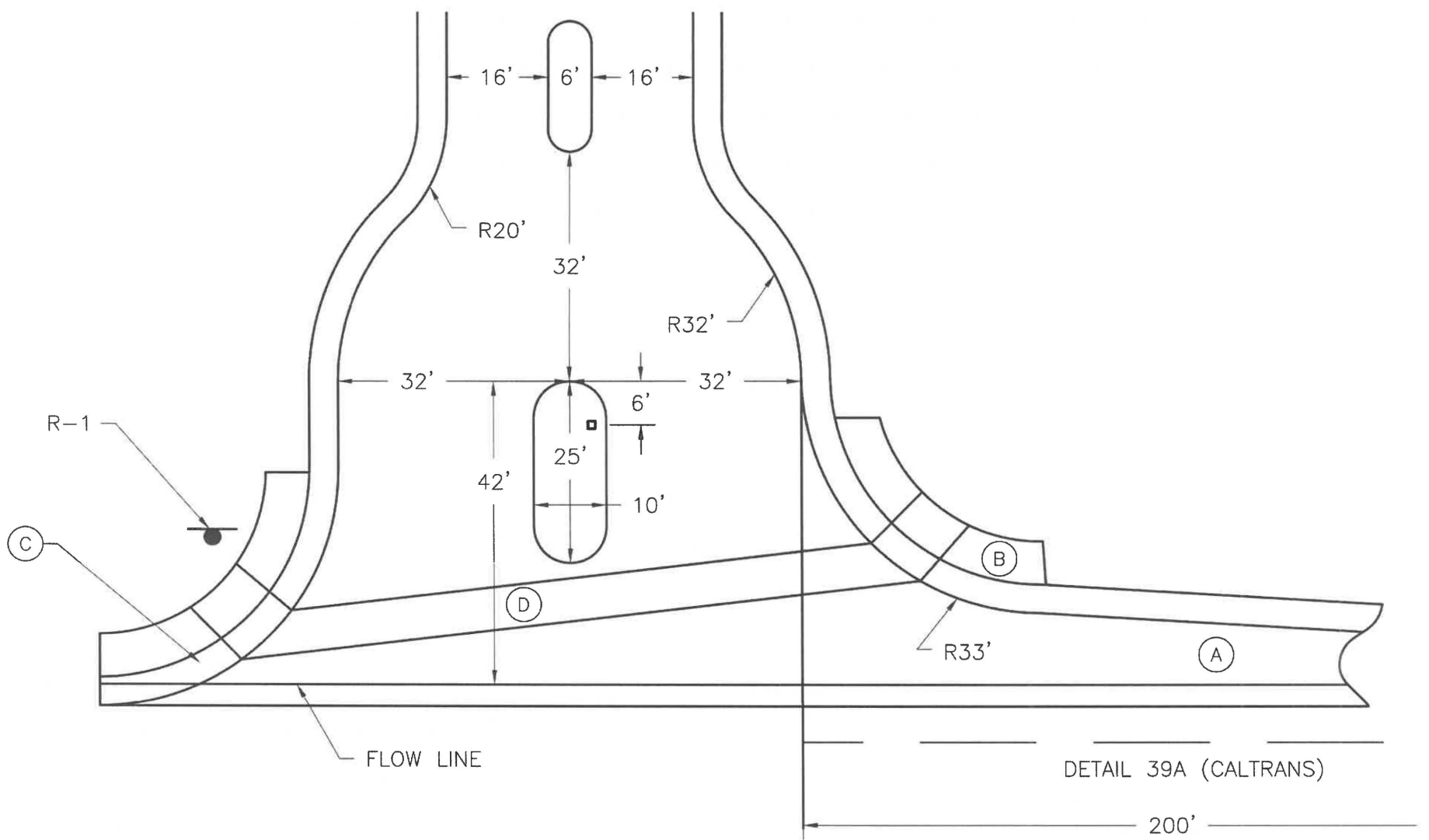




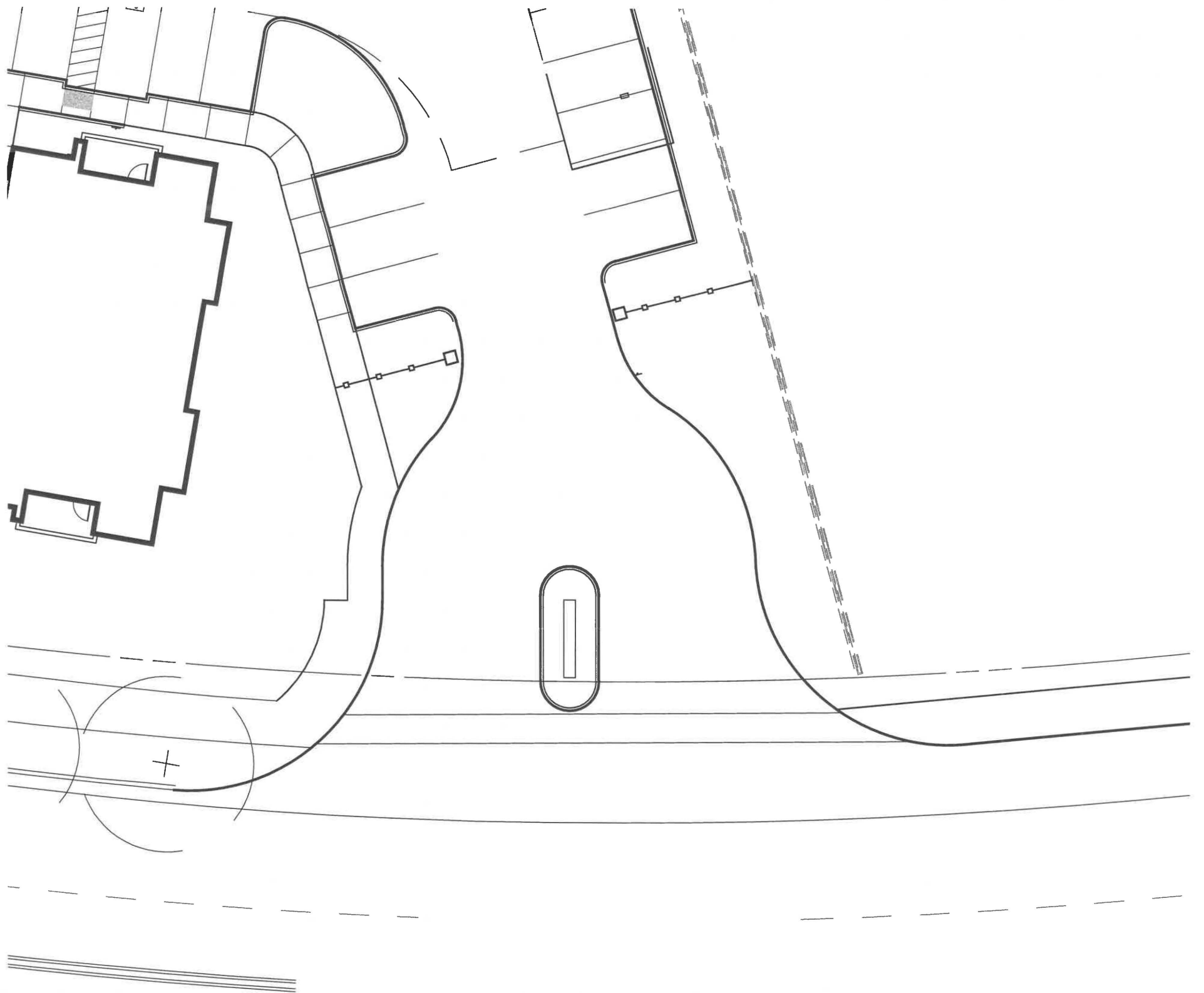
PLACER CREEK APARTMENTS

ENTRY STUDY - CITY STANDARD
DATE: 08.24.2022





CITY OF ROCKLIN ENGINEERING STANDARD - PRIVATE GATED ENTRANCE DWG# 3-41



PLACER CREEK APARTMENTS

ENTRY STUDY - CITY STANDARD SOUTH DRIVEWAY
 DATE: 08.24.2022

